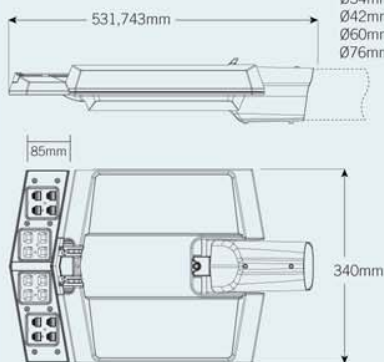


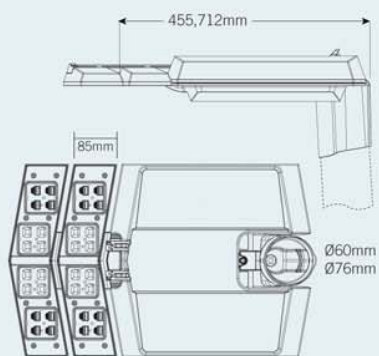
Montáž na výložník



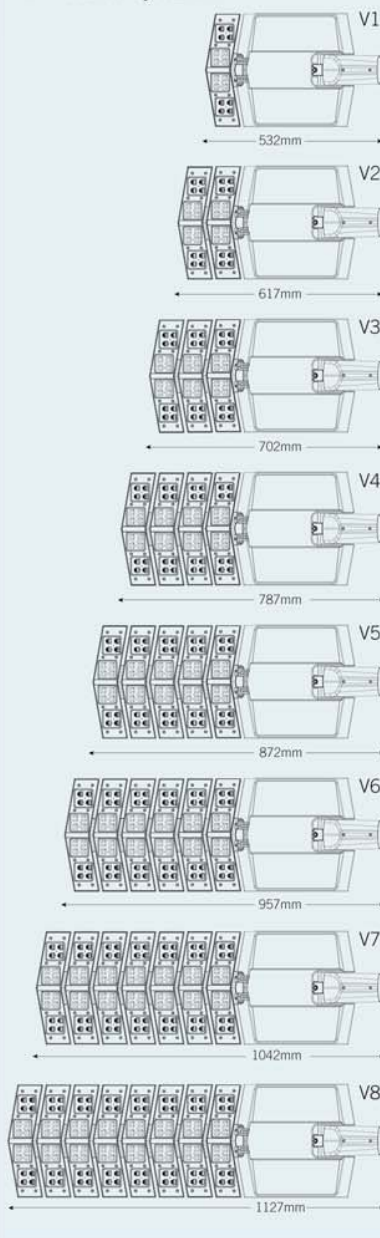
rozměry v mm  
Ø34mm  
Ø42mm  
Ø60mm  
Ø76mm



Montáž na sloup

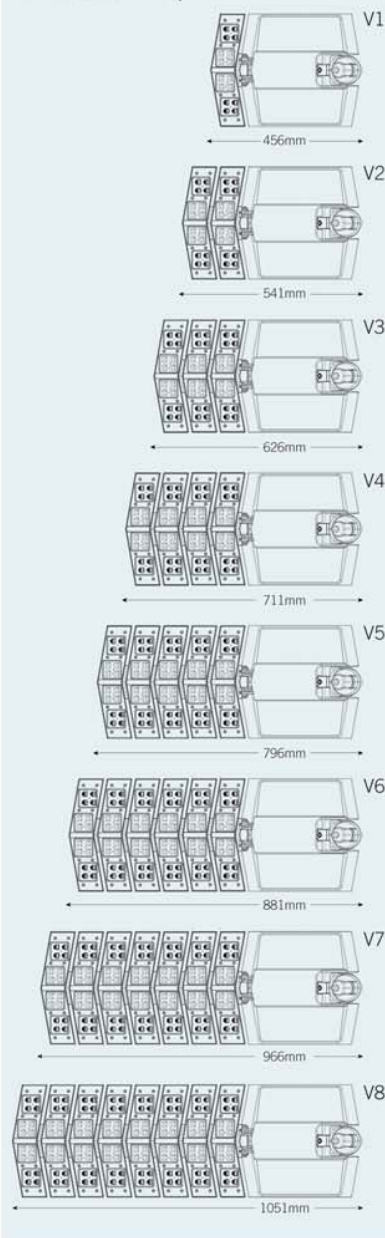


Montáž na výložník



SE1 rozměry

Montáž na sloup



PT1 rozměry

**Note:** The specifications of the Carandini luminaire represents typical values. All descriptions, illustrations, drawings and specifications in the Carandini catalogue and website represent only general particulars of the goods to which they apply and shall not form part of any contract. The company reserves the right to change specifications at its discretion without prior notification or public announcement.