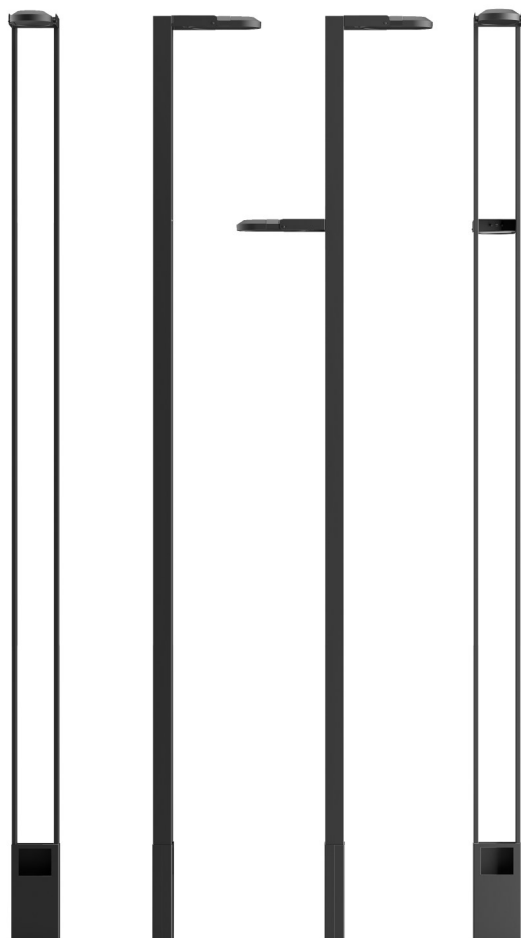


# City View

Powered by Mikos S



CTW Luminaire

## KEY BENEFITS

### LIGHT POINT

- Reduces the burden of elements in public space.
- Can integrate scattered elements.
- Contributes to the reduction of the carbon footprint.
- Wide tilt adjustment:  $\pm 90^\circ$ .
- Manhole door opening: Triangular key lock 8mm (Not provided).
- Up to 5 different versions.

### LUMINAIRE

- Durability and robustness: IP66 + IK09.
- Injected aluminum (Cu<0.1%).
- Luminaire opening: Tool-free.
- Energy Efficient:  
3.000K: 158 lm/W - 2.700K: 134 lm/W - 2.200K:130 lm/W
- Up to 7 photometric distributions.
- Smart Ready: Designed to accommodate external Zhaga base.
- Future Proof: Complies with Zhaga standard.
- Lifespan L90B10 100,000h (Ta 25°C).
- Night Friendly: ULR Arrêté du 27 décembre 2018.
- 5 years warranty.

## DESCRIPTION

The City View Light Point, our innovative urban lighting system, redefines efficiency and sustainability in the illumination of public spaces. Designed with the latest LED technology, this product not only lights up our cities but also drives energy savings and minimizes light pollution. Efficient and aesthetically integrated, it reduces the clutter of elements in public space and can incorporate scattered elements, optimizing the use of urban space. It significantly contributes to the reduction of the carbon footprint, making it a key choice for a more sustainable and efficient urban environment.



## LIGHT POINT CHARACTERISTICS

### GENERAL CHARACTERISTICS

Materials	Galvanised S235JR steel
Nuts outer and bolts	Stainless steel (AISI304).
Weight	99,6 / 122,7 Kg
Height	4,7m / 6m

## APPLICATIONS

Residential and pedestrian areas, Shopping, Areas, Parks, Squares & gardens, Streets and avenues, Greenway and bike lane.

## FINITIONS

### SURFACE PROTECTION

Anti-Urine Protection / Anti-Graffiti Protection	Powder-coated lacquer paint, oven-dried at 200°.
--	--

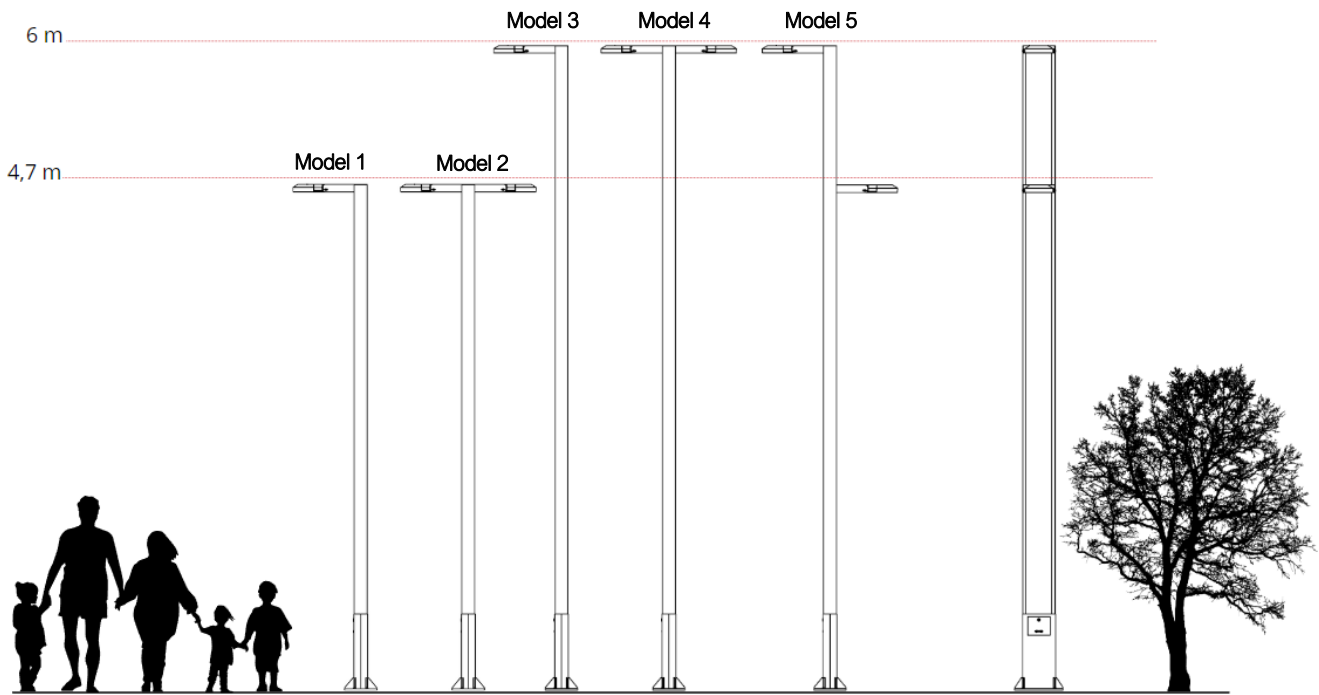
### Predefined luminaire colour

RAL 9005	Polyester powder 9005 intense matt textured black.
----------	--

### Corrosion protection

SEA SIDE SUSTAINABLE	Marine Finish (1.000h) (C5)
----------------------	-----------------------------

MODELS



Models	Model 1	Model 2	Model 3	Model 4	Model 5
Height	4,7 metres	4,7 metres	6 metres	6 metres	6 metres
N° luminaires	1 luminaire	2 luminaires	1 luminaire	2 luminaires	2 luminaires at different heights

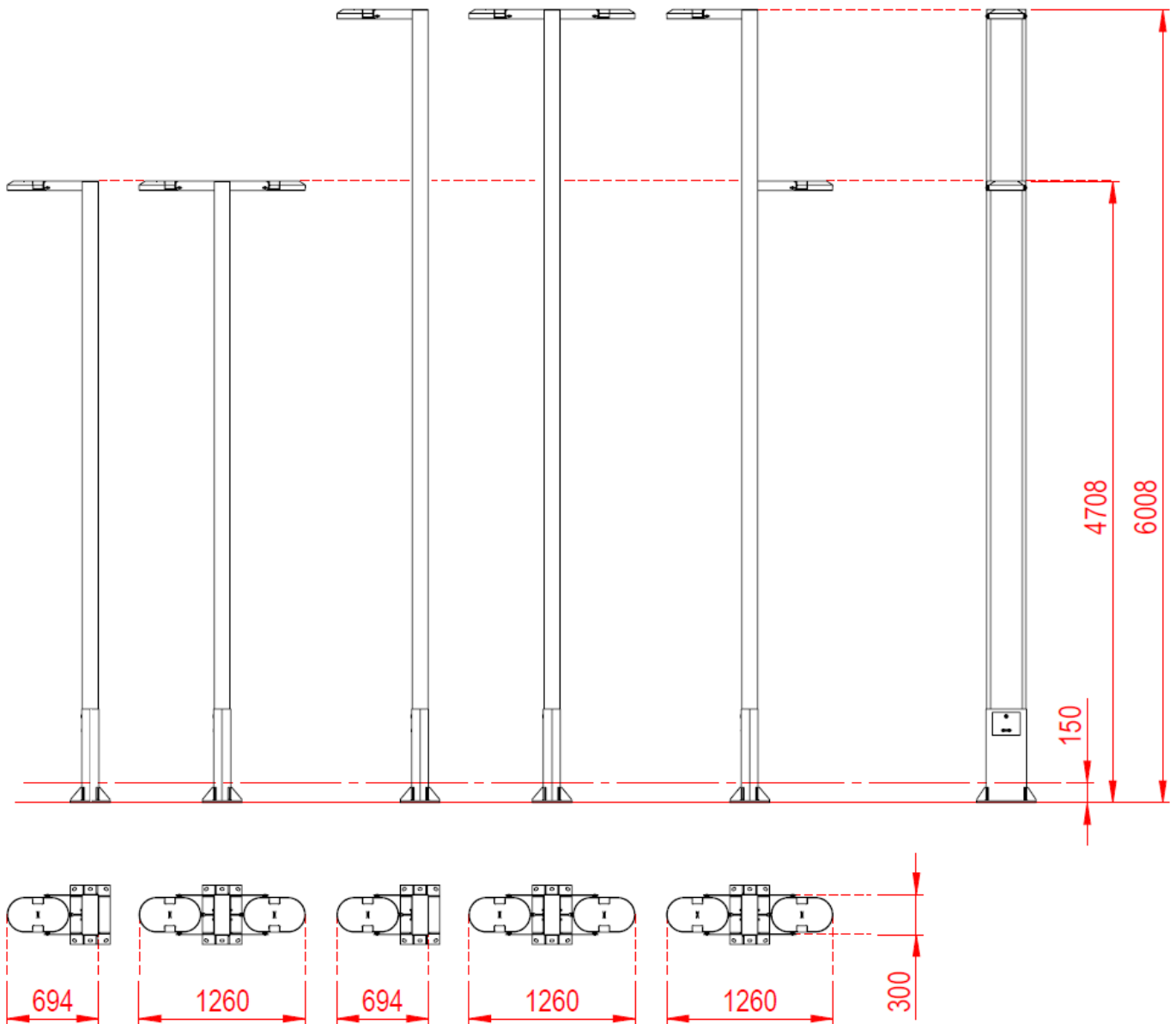
CONFIGURABLE VERSIONS

Up to 5 different versions.

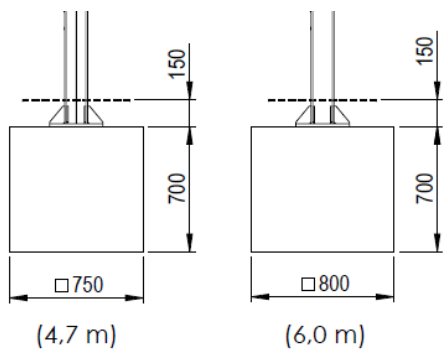


Distributor: EPK elektro s.r.o.  
 info@carandini.cz - www.carandini.cz

DIMENSIONS

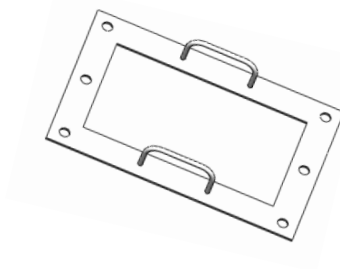


Recommended foundation

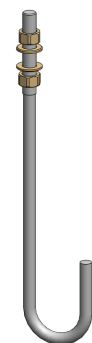


Template bolts (included 11ud/5)

Ref. 410699



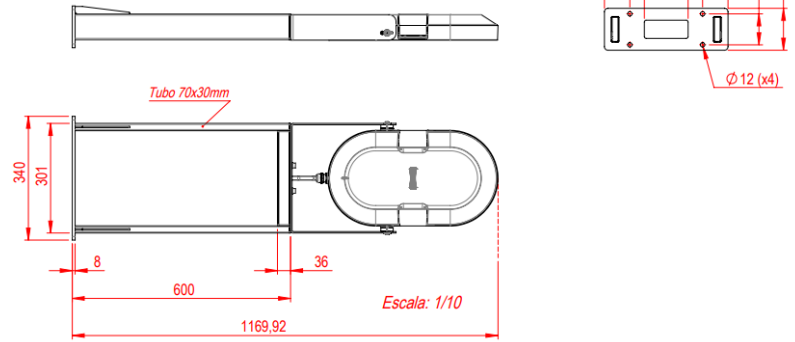
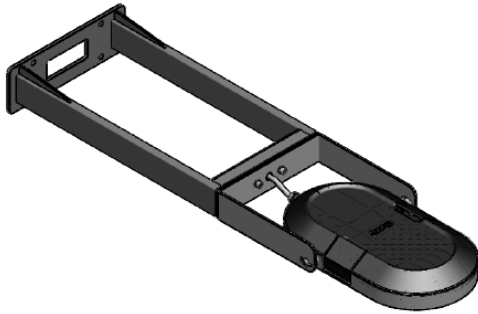
Bolt set (included)



Distributor: EPK elektro s.r.o.  
info@carandini.cz - www.carandini.cz

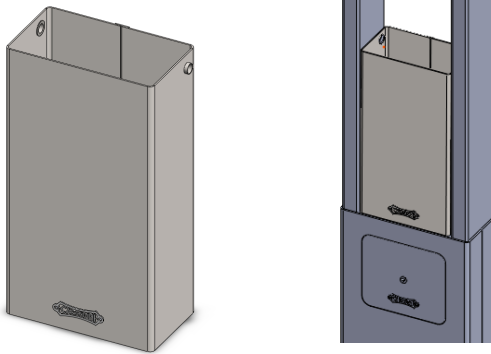
ACCESSORIES

CTW-600\_WALL ARM 9005T  
Ref. 410658

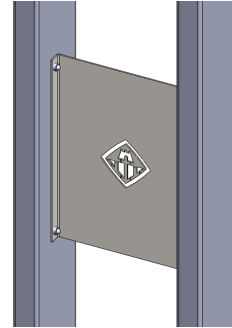


LITTER BIN

CTW\_P10\_LITTER BIN 10L 9005T  
Ref. 410697



MUNICIPALITY COAT OF ARMS  
(configurable)



Access to the Registration Gate  
(Not provided)



APPLICATIONS

Residential and pedestrian areas, Shopping areas, Parks, Squares and Gardens, Streets and avenues, Greenways and Bike lanes.



Distributor: EPK elektro s.r.o.  
info@carandini.cz - www.carandini.cz

CTW LUMINAIRE CHARACTERISTICS

GENERAL INFORMATION

Sustainability	Valorisation: 99.17% Maximum carbon footprint during use: 0.02072 kg kW/h de CO2.
CE Mark	Yes
ENEC Certificate	Yes
RoHS compliance	Yes
Test standard	LM 79-80 (all laboratory measurements certified in accordance with ISO17025)

GENERAL CHARACTERISTICS

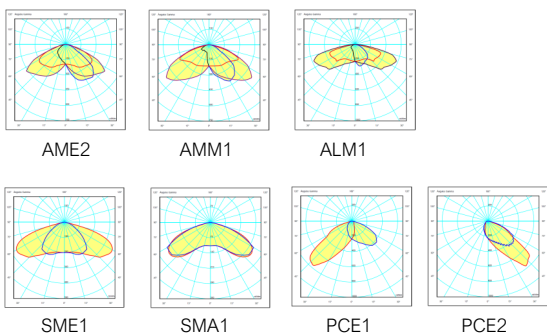
Body	Die-cast aluminium EN AC-44100 with low copper content <0.1%
Closure	Tempered glass 5mm
Nuts outer and bolts	Stainless steel (AISI304).
Watertightness	IP66 (EN 60598-1 and EN 60529)
Degree of protection against impacts	IK09 (EN 62262)
Operating temperature	Ta -40°C to +50°C Depending on luminaire configuration.
Lifetime	L90B10 100,000h at Ta of 25°C. Light maintenance values at 25°C. They are calculated in
Cable	Class I/II Cable from 5 to 6 metres Cross-section: 2x2,5 ; 3x2,5

ELECTRICAL CHARACTERISTICS

Electrical class	Class I or Class II
Voltage / Frequency	220 V - 240 V/50 Hz - 60 Hz Optional 100 V - 277 V
Power factor	> 0.99
Harmonic distortion	< 10%
Surge protector	Surge protection (1.2/50) 10 kV Maximum current (8/20) 10 kA Maximum voltage (L-N) 320 V Maximum voltage (L/N-GND) 400 V

PHOTOMETRIC DISTRIBUTIONS

Provides the 7 photometric distribution patterns suited to the environments in which this luminaire is typically installed, making it adaptable to all requirements.



LIGHTING CHARACTERISTICS

Package real light	GENA: 1.163 lm - 10.670lm (9 - 78W)
LED colour temperature	3,000 K (Warm White, ww). CRI>70 2,700 K (Warm White, ww). CRI>80. 2,200 K (Warm White, ww). CRI>80.
LEDs	Incorporates 12, 24 and 36 LEDs.
ULR	<0.08% to 0%
Optics	PMMA polymethylmethacrylate.
Photometric distributions	<b>ALM1:</b> al. Long. 75° y ap. trans. 10°/45° (Type III) <b>AME2:</b> al. Long. 70° y ap. trans. 15°/40° (Type II) <b>AMM1:</b> al. Long. 70° y ap. trans. 35°/55° (Type III) <b>PCE1:</b> al. Long. 45° y ap. trans. 50°/60° (Type IV) <b>PCE2:</b> al. Long. 50° y ap. trans. 55°/65° (Type III) <b>SMA1:</b> al. Long. 65° y ap. trans. 65° (Type VS) <b>SME1:</b> al. Long. 70° y ap. trans. 40° (Type II)
LED thermal control	Heat dissipation by conduction, radiation and convection via specific design for LED technology.

MAINTENANCE AND INSTALLATION

Installation and maintenance	Tool-free access to the driver from above via top panel.
Fixations	90° bracket.
Accessories	Wall Arm
Weight	6 Kg

MANAGEMENT AND CONTROL

Equipment	<b>1N:</b> 1 Level. <b>RL:</b> Pulse adjustable LED <b>SR:</b> Smart Ready (D4i)
Autonomous regulation	Regulations programmed from the factory: <b>SC:</b> Programming according to client.
CLO regulation	Flow rate during the life of the product: <b>7:</b> 70% luminous flux throughout the life of the luminaire. <b>8:</b> 80% luminous flux throughout the life of the luminaire. <b>9:</b> 90% luminous flux throughout the life of the luminaire.
Socket connection	<b>X:</b> Zhaga socket with/without IP66 cover.
Sensor	<b>2:</b> Photocell for larger Zhaga socket (20 lux).



CERTIFICATES



Distributor: EPK elektro s.r.o.  
info@carandini.cz - www.carandini.cz