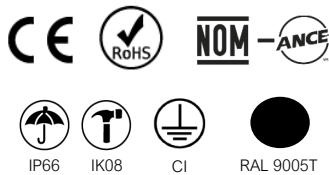


Valiria



KEY BENEFITS

- Modular design from 1 to 4 luminaires for aggressive spaces
- Easy installation
- Operating temperature up to 70°C
- Durability and sturdiness: IP66 + IK08
- Energy Efficient: 140 lm/w
- Modular design: 100W per module; could make 400W max.
- 1 optical distribution
- Reflector available as accessory.
- Tempered glass closure.
- Lifetime L70B10 >100.000hr (Ta) 25°C.
- 5 years warranty



DESCRIPTION

Carandini's Valiria luminaire is designed for extreme temperatures to provide a solution for industrial areas requiring high temperature up to simple industrial workshops.

Thanks to its compact and lightweight design, it facilitates assembly and installation operations, accelerates heat dissipation and reduces dust accumulation.

STANDARD COMPLIANCE

- EN-60598-1
- EN-62031
- EN-61000-3-2
- EN-61547
- EN-60598-2-1
- EN-55015
- EN-61000-3-3
- EN-62471



4000K
Ra>70
Optional



1 M: 14.000lm
2 M: 28.000lm
3 M: 42.000lm
4 M: 56.000lm



-30°C to + 70°C



Up to 140 lm /W

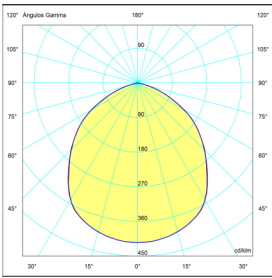


4,06Kg

L70B10 >100.000hr
Ta 25°C

PHOTOMETRIC DISTRIBUTIONS

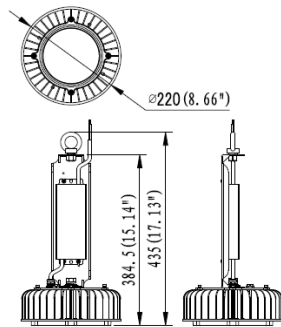
It has the 1 photometric distribution used for the environments in which this type of luminaire is installed, allows it to adapt to all needs:



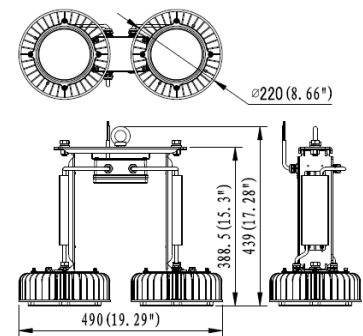
IS12

DIMENSIONS

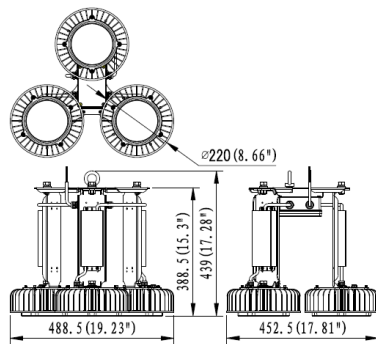
1 Module 100 W



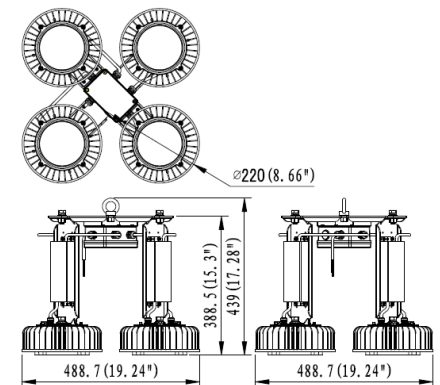
2 Modules 200 W



3 Modules 300 W

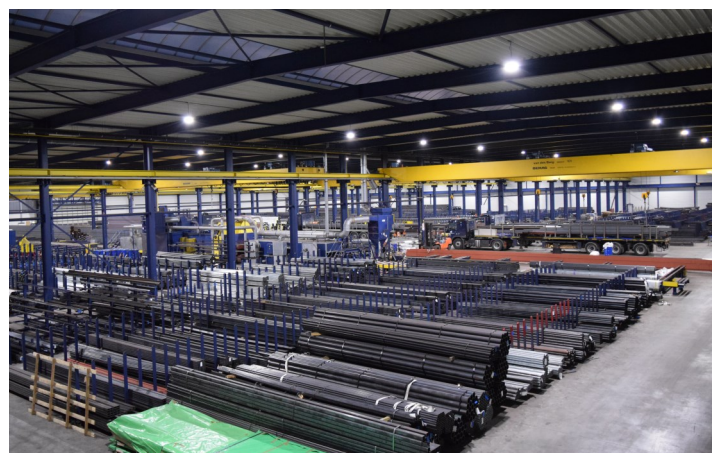


4 Modules 400 W



APPLICATIONS

Workplaces with extreme temperatures.



Distributor: EPK elektro s.r.o.
info@carandini.cz - www.carandini.cz

VALIRIA CHARACTERISTICS

GENERAL CHARACTERISTICS

Material	Die-cast aluminium. Polycarbonate optical lenses.
Finish	RAL-9005 Jet black textured.
Watertightness	IP66 (EN 60598-1 and EN 60598-2-3)
Impact protection grade	IK08 (EN 62262)
Operating temperature	-30°C to + 70°C
Lifetime	L70B10 >100.000hr Light maintenance assessments to TM-21 based on LM-80 data. According to IESNA TM-21-11. Calculated values represent time periods exceeding 6 times the total duration of the IESNA LM-80-08 test for the driver under test.

ELECTRICAL CHARACTERISTICS

Electrical class	Class I
Voltage / Frequency	100-240V- 50/60HZ
Power factor	> 0,9

MAINTENANCE AND ASSEMBLY

Installation and maintenance	Option of hook or ceiling bracket mounting.
Fixations	Loop mount-Single Loop mount-Twin Loop mount-Triple Loop mount-Quad
Accessories	Twin-mount Bracket Kit for 200W Triple-Mount Bracket Kit for 300W Quad-Mount Bracket Kit for 400W Safety chain
Weight with equipment	4,06Kg

LIGHTING CHARACTERISTICS

Package real light	1 module : 14.000lm (100W) 2 modules : 28.000lm (200W) 3 modules : 42.000lm (300W) 4 modules : 56.000lm (400W)
LED colour temperature	4.000K (Neutral White, nw).
Index of reproduction chromatic (CRI)	CRI>70.
Photometric distributions	IS12 (120°)

MANAGEMENT AND CONTROL

Equipment	A0: 0 - 10V
-----------	-------------

LOGISTICAL INFORMATION

Double mounting bracket kit for 200W (10pcs/CTN)

Net weight: 18.4kg
Gross weight: 20.55kg
Export box size: 585×350×230mm

Triple mounting bracket kit for 300W(4pcs/CTN)

Net weight: 9.67kg
Gross weight: 12.27kg
Export box size: 645×370×240mm

Quad mounting bracket kit for 400W (4pcs/CTN)

Net weight: 12.57kg
Gross weight: 15.45kg
Export box size: 735×370×240mm

ACCESSORIES



Twin-mount Bracket Kit for 200W



Triple-Mount Bracket Kit for 300W



Quad-Mount Bracket Kit for 400W



Safety chain

FIXATIONS



Loop mount-Single



Loop mount-Twin



Loop mount-Triple



Loop mount-Quad