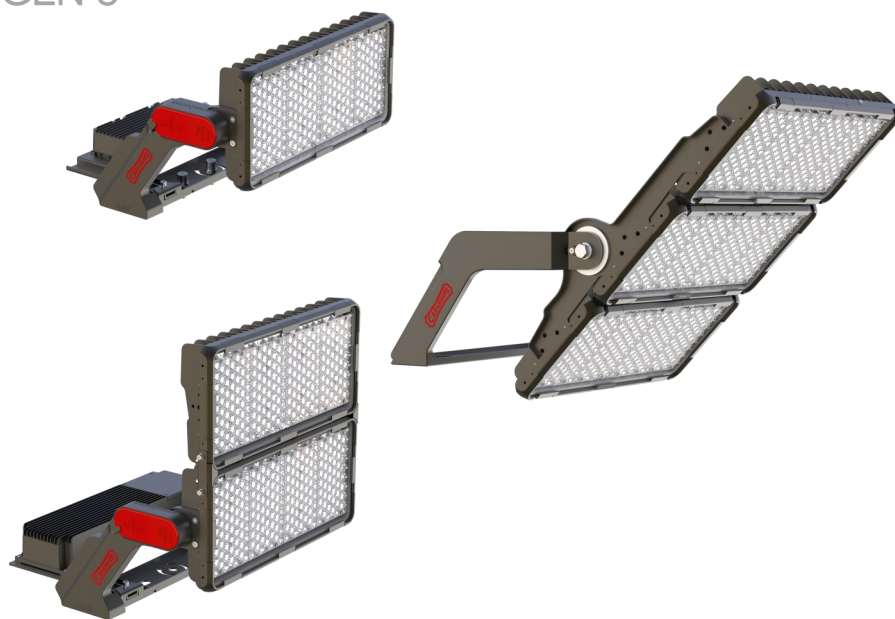


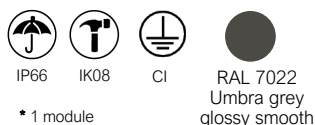
Athlos

GEN 3



KEY ADVANTAGES

- Floodlight for high mounting heights with 1, 2 and 3 modules of up to 600 W, 1,200 W and 1,800 W, respectively.
- LED module and bracket with adjustable position and inclination.
- Sturdiness: IP66 + IK08.
- Up to 7 optical distributions.
- Driver installable away from the LED module
- 1 module: Up to 168 lm/W.
- 2 modules: Up to 170 lm/W.
- 3 modules: Up to 173 lm/W.
- Excellent visibility and uniformity.
- 5 years warranty.



DESCRIPTION

Athlos is Carandini's floodlight for high mounting heights and sports facilities. Its easy installation, sturdiness, latest-generation LED technology, optical distributions and the possibility of combining it with Controlux Sport make it a high-quality, versatile, and efficient solution.

STANDARDS / CERTIFICATES

- CE
- RoHS
- UNE-EN 60598-1
- UNE-EN 60598-2-3 or 60598-2-5
- UNE-EN 60598
- UNE-EN 61000-3-2
- UNE-EN 61000-3-3
- UNE-EN 55015
- UNE-EN 61547
- UNE-EN 62031
- UNE-EN 61347-2-13
- UNE-EN 62384
- UNE-EN 13032-4

*Test reports from independent laboratories.

Measurements taken at ISO 17025 approved laboratory.



4000K CRI>70 5700K CRI>70

CRI>80 upon request



1 M: 59.447lm - 98.865lm (400 - 600 W)
2 M: 118.151lm - 197.390lm (800 - 1.200 W)
3 M: 217.751lm - 297.170lm (1400 - 1.800 W)



1 M: 14,5 + 4,2 kg (driver)
2 M: 21,5 + 6,4 kg (driver)
3 M: 30 + 6,4 kg (driver)



1 M: 0,21 m²
2 M: 0,35 m²
3 M: 0,47 m²



1 M: 168 lm/W
2 M: 170 lm/W
3 M: 173lm/W



-40°C - +50°C



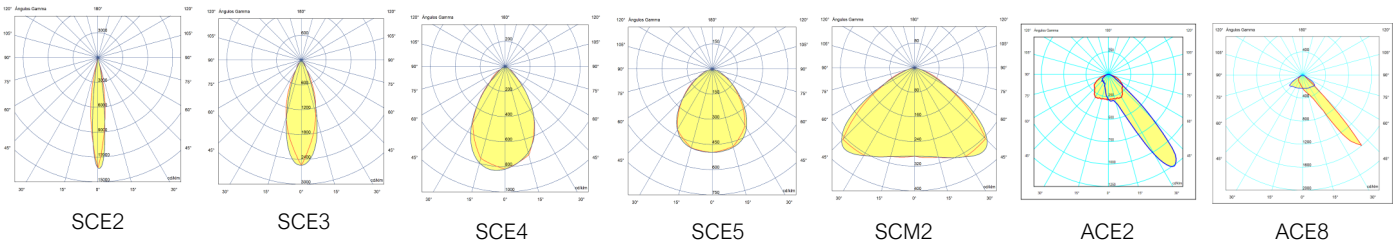
0,00% - 0,35%

220V-400V
50-60Hz

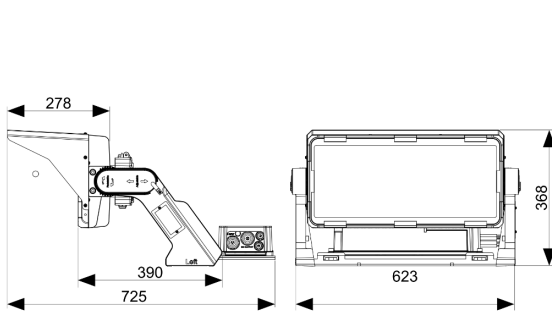
L80 B10 100.000h
Ta 25°C

PHOTOMETRIC DISTRIBUTIONS

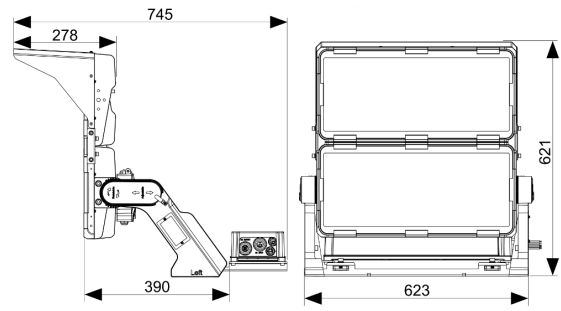
Features 7 photometric distributions optimised for sports projects:



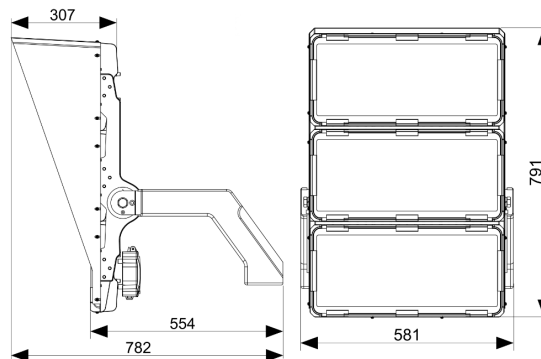
DIMENSIONS



Athlos 1 Module with driver



Athlos 2 Modules with driver



Athlos 3 Modules without driver

*Optionally you can include a shield to contain the light.

APPLICATIONS

Football pitches, tennis courts, athletics tracks, car parks, ports and airports, and many other uses at great heights.



Distributor: EPK elektro s.r.o.
info@carandini.cz www.carandini.cz

ATHLOS CHARACTERISTICS

GENERAL INFORMATION

Sustainability	Valorisation: 96,35%. Maximum carbon footprint per use: 0,5094 kW/h de CO2.
CE marking	Yes
ENEC Certificate	Yes
RoHS compliance	Yes
Test standard	LM 79-80 (all measurements in the laboratory certified according to ISO17025)

GENERAL CHARACTERISTICS

Body and mounting	High-pressure die-cast aluminium with low copper content
Finish	Umbra grey glossy smooth polyester powder coating RAL 7022 (7022B).
Light enclosure	Toughened flat glass 4 mm.
Exterior nuts and bolts	Stainless steel (AISI304).
Watertightness	IP66 (EN 60598-1 y EN 60529)
Impact protection grade	IK08 (EN 62262)
Operating temperature	Ta -40 °C a +50 °C According to luminaire configuration.
Lifetime	L80B10 100.000 h at Ta of 25°C. Light maintenance values at 25 °C are calculated in accordance with TM-21 based on LM-80 data.

ELECTRICAL CHARACTERISTICS

Electrical class	Class I
Input voltage	220V-400V / 50Hz - 60Hz
Power factor	> 0.95
Harmonic distortion	< 10%
Surge protection	10 kV (Driver).

MAINTENANCE AND ASSEMBLY

Installation and maintenance	IP 66 driver installed behind floodlight. Driver can be supplied separate from floodlight for separate luminaire assembly, at a distance of 25 m. Over 25 m, upon request. The cable from the control gear to the luminaire includes a metallic protective mesh, only when the driver is installed at the back of the luminaire. If the box is not separate from the floodlight, extra cable is not supplied as standard and has no metallic protective mesh.
Installation	H01: Bracket installation.
Mechanical adjustment	Bracket has an inclination of up to 270°.
Accessories	Laser pointer External back-light shield Kit to fix the driver to the pole Kit for fixing the luminaire facing downwards, 2 / 3 modules

LIGHTING CHARACTERISTICS


Real light package	1 M: 59.447lm - 98.865lm (400 - 600 W) 2 M: 118.151lm - 197.390lm (800 - 1.200 W) 3 M: 217.751lm -297.170lm (1400 - 1.800 W)
LED colour temperature	Available in 4.000 K and 5.700 K.
Colour rendering index (CRI)	CRI>70. CRI>80 upon request.
LEDs	Includes: 240, 480, 720 LEDs (Only with SCE2, ACE2, ACE8) 816, 1.632, 2.448 LEDs (Only with SCE3, SCE4, SCE5, SCM2).
ULR	Between 0.00% and 0.35% (Upward Light Ratio).
Photometric configurations	SCE2: Throw angle 10° Spread angle 10° SCE3: Throw angle 30° Spread angle 30° SCE4: Throw angle 60° Spread angle 60° SCE5: Throw angle 90° Spread angle 90° SCM2: Throw angle 120° Spread angle 120° ACE2: Throw angle 30° Spread angle 35° ACE8: Throw angle 50° Spread angle 45°
LED thermal management	Thermal management by 3 principles of heat transfer: conduction, convection and radiation, that help achieve long LED and driver life.

MANAGEMENT AND CONTROL

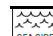
Devices	RD: Adjustable LED Protocol DALI.
---------	--

FINISHES

Predefined luminaire colour

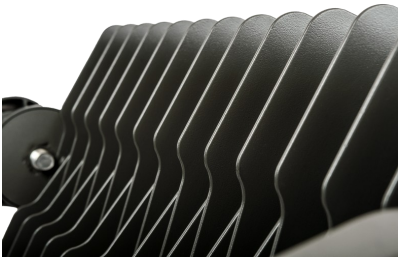
 RAL 7022	Umbra grey glossy smooth
--	--------------------------

Corrosion protection

 SEA SIDE SUITABLE	Marine Finish (1.000h) (Optional)
---	-----------------------------------

**This luminaire may not be painted in any other colour.*

ATHLOS PHOTOGRAPHS



The Athlos design maximises management of heat produced by the floodlight



Floodlight can be adjusted up to 270°.



External back-light shield to contain light.



IP 66 Driver installed behind floodlight

ACCESSORIES



Laser pointer
Ref. 409447



External back-light shield
1M / 2M: Ref. 409446
3M: Ref. 411653



Kit for fixing the luminaire facing downwards (2 / 3 modules)
Ref. 382304

LOGISTICAL INFORMATION

	Athlos 1 Module	Athlos 2 Modules	Athlos 3 Modules
Box size:	660 x 600 x 330 mm	930 x 680 x 330 mm	1040 x 640 x 290 mm
Box weight:	22 kg	32 kg	44 kg
European base:	1200 x 800 x 1500 mm	1200 x 800 x 1500 mm	1200 x 800 x 1350 mm
Number of boxes:	8 units	4 units	4 units
Number of levels	4	4	4
Total gross weight:	196 kg	148 kg	196 kg
Total net weight:	176 kg	128 kg	176 kg

Distributor: EPK elektro s.r.o.
info@carandini.cz www.carandini.cz